

S3H RELAY

SHORI

◆ Features

- S3H Series Relay covers switching capacity by 15A in spite of miniature size to comply with user's wide selection.
- The employment of suitable plastic materials is applied under high temperature condition and various chemical solutions.
- SPNO, SPNC, SPDT and sealed flux free & sealed Washable type are available.



◆ Coil Data [at 23°C]

- Standard Type

Rated voltage (V)	Coil Resistance ±10% (Ω)	Rated Current ±10% (mA)	Pick up Voltage (Max)	Drop out Voltage (Min)	Max continuous Voltage	Power consumption At rated Voltage
3	25	120	75% of rated voltage	10% of rated voltage	130% Max of Rated voltage	Approx.0.36W
5	70	72				
6	100	60				
9	225	40				
12	400	30				
24	1600	15				
48	6400	7.5				

- High sensitivity Type

Rated voltage (V)	Coil Resistance ±10% (Ω)	Rated Current ±10% (mA)	Pick up Voltage (Max)	Drop out Voltage (Min)	Max continuous Voltage	Power consumption At rated Voltage
3	37.5	120	75% of rated voltage	10% of rated voltage	130% Max of Rated voltage	Approx.0.24W
5	104.2	72				
6	150	60				
9	337.5	40				
12	600	30				
24	2400	15				
48	9600	7.5				

◆ Contact Rating

Resistive load	7A 277VAC, 15A 125VAC, 7A 30VDC
Max. switching current	15A
Max. switching voltage	277VAC
Max. switching capacity	1930VA

◆ Type List

Terminal style	Contact form	UL Insulation System approval	Designation(provided with)	
			Sealed type	Sealed type washable
PCB terminal	1A (SPNO)	-----	S3H-12-1A	S3H-12-1AS
		F	S3H-12-1A-F	S3H-12-1AS-F
	1C(SPDT)	-----	S3H-12-1C	S3H-12-1CS
		F	S3H-12-1C-F	S3H-12-1CS-F

◆ Ordering information

S3H - 12 B - 1A S - F
 1 2 3 4 5 6

1. S3H -- Basic series designation
2. 12 -- Coil Voltage (3V~48V)
3. Power Consumption
 B -- High sensitivity Type(0.24W)
 Blank -- Standard Type(0.36W)
4. 1A -- 1 Form A, Single pole normally open
 1B -- 1 Form B, Single pole normally closed
 1C -- 1 Form C, Single pole double throw
5. S -- Sealed type washable
 Blank -- Sealed type
6. Insulation standard
 F --Class F
 Blank --standard type

◆ Specification

Contact material	Ag Alloy	
Contact resistance	100 mΩ Max	
Operate time	10 ms Max	
Release time	5 ms Max	
Insulation resistance	100 MΩ Min. (DC 500V)	
Dielectric strength	Between open contact : AC 500V ,50/60Hz 1 min.	
	Between contact and coil : AC 1500V, 50/60Hz 1 min.	
Vibration resistance	Operating extremes	10~50Hz, amplitude 1.5 mm
	Damage limits	10~50Hz, amplitude 1.5 mm
Shock resistance	Operating extremes	10G
	Damage limits	100G
Life expectancy	Mechanical	10,000,000 operations (frequency 18,000 operations/hr)
	Electrical	100,000 operations (frequency 1,200 operations/hr)
Operating ambient temperature	-30~+85°C(no freezing)	
Weight	Approx. 9.5 g	

S3H RELAY

SHORI

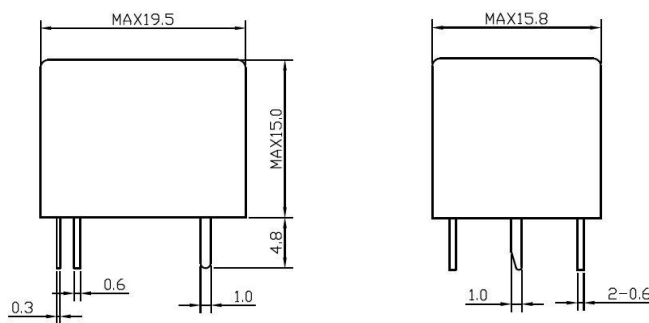
◆ Safety Approval

Certified	UL/CUL	TUV
File No.	E188091	R50025857

◆ Safety Approval Rating

	UL/CUL	TUV
1A/1B	10A 277VAC, 15A 125VAC, TV-5/125VAC, 120VAC(for 1A) 1/3HP	10A 240VAC , 15A 125VAC, 20A 14VDC
1C	7A 277VAC, 7A 30VDC, 15A 125VAC, 10A 24VDC	7A 240VAC , 15A 125VAC, 7A 30VDC, 12A 24VDC

◆ Outline Dimensions



Dimension:mm

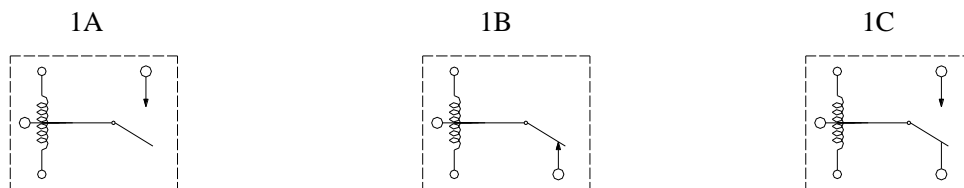
TOLERANCE:

<1mm:±0.2mm

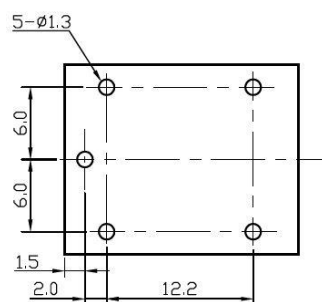
1-5mm:±0.3mm

>5mm :±0.4mm

◆ Wiring Diagram (BOTTOM VIEW)



◆ PC Board Layout (BOTTOM VIEW)



◆ Engineering Data

